



ul. Konstytucyjna 79/81
95-200 Pabianice
tel/fax 48 42 2270971 POLAND
e-mail: fif@fif.com.pl

CKF

PHASE CONTROL RELAYS

three-phase asymmetry
and sequence monitors



www.fif.com.pl

F&F products are covered by an 24 months warranty from date of purchase

PURPOSE

Three phase and sequence monitor is designed to protect three phase electric motors against voltage drop in at least one phase or voltage asymmetry between phases, which could damage the motor, with additional protection of motor rotation direction in case of phase change before the monitor.



STARTING

1. Take on the power.
2. Green LED is shining - correct phase sequence of connection phases joint - can switch ON motor.
3. Red LED is shining - incorrect phase sequence of connection phases joint.
 - a. Take OFF the power.
 - b. change sequence of connection of phases joint e.g. from L2 to L3.
 - c. Make action with points 1 and 2.
4. Any LED isn't shining:
 - Lack of phase
 - Voltage asymmetry is greater than 45V~

TECHNICAL DATA

supply	3×400/230V+N
current load	<10A
joint	1Z
sygnalling of supply	2×LED
activation voltage asymmetry	45V~
hysteresis	5V~
switching OFF delay	4sec
power consumption	1,6W
working temperature	-25÷40°C
connection	OMY 4×1mm ² ; 2×0,75mm ² , dt. 0,45m
dimensions	50×67×26mm
fixing	two screws to substarte

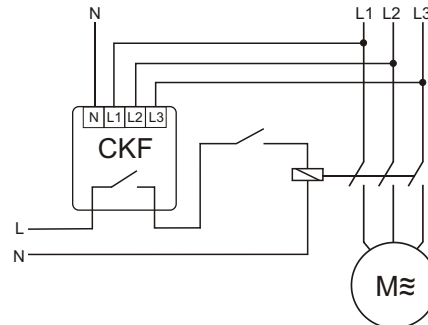
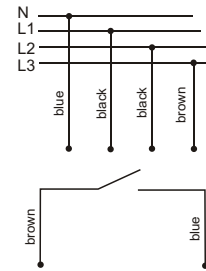
FUNCTIONING

Supplied a receiver is signaled by shine of green LED. Voltage collapse in any phase or voltage asymmetry between phases - more than 45V - above fixed actuation threshold causes switching-OFF the motor. The motor switching-OFF occurs after delay of 4 sec, which prevents accidental motor switching-OFF caused by instantaneous voltage drop. Switching the motor ON anew occurs automatically when the voltage increases of 5V~ above activation voltage (i.e. about value of voltage hysteresis). At occurrence of these disturbances, it is not possible to set motor in motion. In case of change of phase sequence, before the monitor, which causes change of motor rotation direction (in relation to that primarily set) is signaled by shining red diode LED along with impossibility of switching-on the motor. The re-connection is possible after the return to correct phase sequence.

ASSEMBLY

1. Check work of motor (direction of sales).
2. Take OFF the power.
3. Put on the relay to substrate.
4. To black cables and brown cable connect phases L1.L2.L3. Black cable connect to N.
5. Contractor of relay connect in line to system of coil of switch ON motor.

WIRING DIAGRAM



A090625