



ul. Konstytucyjna 79/81  
95-200 Pabianice  
tel/fax 48 42 2270971 POLAND  
e-mail: fif@fif.com.pl

## OM-635 POWER CONSUMPTION LIMITER with staircase timer

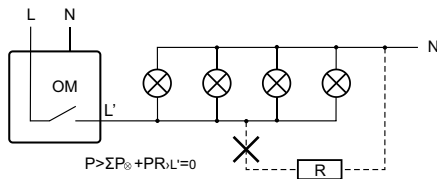


www.fif.com.pl

F&F products are covered by a 24 months warranty from date of purchase

### PURPOSE

The OMS-635 power consumption limiter allows the user to maintain lighting in halls, staircases or other places active for a specified time when it will then turn off automatically. The user may also preset the automatic disconnection of power supply to a single-phase wiring system if the rated power input to the receivers in a given circuit is exceeded.



### ATTENTION!

Recommended is use additional current care of controlled circuit (output L') by topic fuse gL/gG or B16.  
OMS-635 in not adapted to co-operate with pushbuttons equipped with neon lamp.

### TECHNICAL DATA

supply	230V AC
current load	<10A
switching off delay- to set	0,5+10min
activation threshold - to set	200+2000VA
delay activation	1,5+2sec
recovery hysteresis	2%
power supply return	30sec
work time setting range	0,5+10min
power consumption	0,8W
connection	screw terminals 2,5mm <sup>2</sup>
dimensions	3 modules (52,5mm)
fixing	on rail TH-35

### INPUT/OUTPUT

Description of outputs:

- 1 - 2 supply 230V (L - N)
- 5 output of supply 230V to staircase system light
- 6 - 7 output L'=230V AC (additional circuit which is exclude of staircase system).

### FUNCTIONING

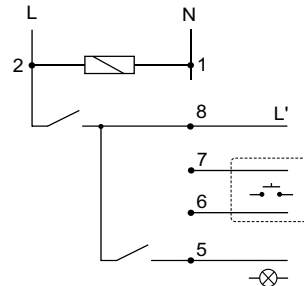
Supplied of the limiter is signalized by shine of green LED "U". Once activated by means of a release button (bell push), the limiter keeps the lighting active for a specified period of time preset by the potentiometer. After the lapse of this period, the device turns off the lighting automatically. The lights may then be turned on again. The limiter allows the user to supply power to the circuit if the total consumed power of all the receivers incorporated into the system is lower than the value set on the limiter's scale. Once the rated threshold of power consumption in the controlled circuit is exceeded, the supply to this element is disconnected and returned automatically after 30sec. If the value of power consumed continues to exceed the rated level, the supply is disconnected again. The power consumption limiter has been equipped with a delayed activation circuit (1.5+2sec) which prevents disconnection of the power supply in the event of momentary power consumption surges over the rated level.

### ATTENTION!

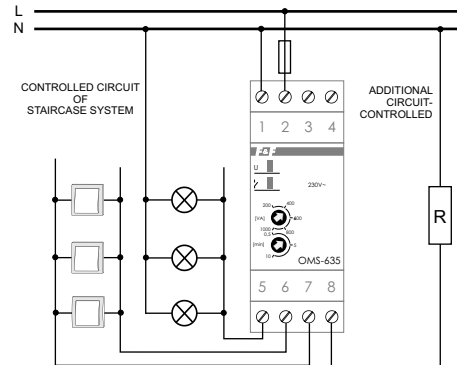
Limiter is not adapted for the protection of circuits with converters, e.g. fluorescent lamps, transformers.

### ASSEMBLY

1. Take OFF the power.
2. Put on the limiter on the rail in the switchgearbox.
3. Connect supply to joints 1-2. L to joint 2 and N to joint 1.
4. Buttons which enclose staircase light connect in parallel to joints 6-7.
5. Supply of staircase system put out from joint 5.
6. Supply of additional circuit which is exclude from staircase system put out from joint 8 (L').
7. By screwdriver set activation threshold.



### WIRING DIAGRAM



A090630