



F&F Filipowski sp. j.  
Konstytucyjowa 79/81, 95-200 Pabianice, POLAND  
phone/fax (+48 42) 215 23 83 / (+48 42) 227 09 71  
www.fif.com.pl; e-mail: biuro@fif.com.pl

## AT-1U-PT

Temperature transducer  
with voltage output



**Do not dispose of this device in the trash along with other waste!**

According to the Law on Waste, electro coming from households free of charge and can give any amount to up to that end point of collection, as well as to store the occasion of the purchase of new equipment (in accordance with the principle of old-for-new, regardless of brand). Electro thrown in the trash or abandoned in nature, pose a threat to the environment and human health.



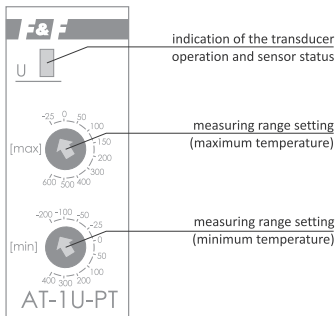
### Purpose

The AT-1U-PT temperature transducer has been designed for temperature measurement using 3-wire PT100 platine sensor and converting measurement result into an analog voltage signal in the range of 1÷10 V.

### Features

- » Continuous measurement of ambient temperature using a 3-wire PT100 platinum sensor;
- » Compatible with the temperature sensor RT56 (temperature range -100÷400°C) manufactured by F&F;
- » Adjustable measuring range;
- » Optical indication of the operation of the transducer and the state of the connected sensor.

## Front description



## Mounting



Installation of the transducer should be performed by an installer with appropriate qualifications and experience in connecting electrical installations.



It is recommended to use high quality power supplies with a good output voltage filtering ratio to power the transducer.



Do not route signal cables, especially the cable for the temperature sensor, in parallel with other power cables.

---



It is recommended to use a 3-core shielded cable to connect the temperature sensor. The shield of the cable on one side must be connected to PE.

---



To connect the voltage output, it is recommended to use a 2-core shielded cable, connected one side to PE.

---

1. Turn off the power to the switchboard.
  2. Mount the module on a DIN rail in the distribution box.
  3. Connect the transducer power to terminal 1 (+) and 2(-).
  4. The output signal is connected to the terminals 3 (+) and 2 (-).
  5. Connect the PT100 temperature sensor to terminals 10-12, according to the diagram.
  6. Use **MIN** and **MAX** potentiometers to set the required measuring range.
- 

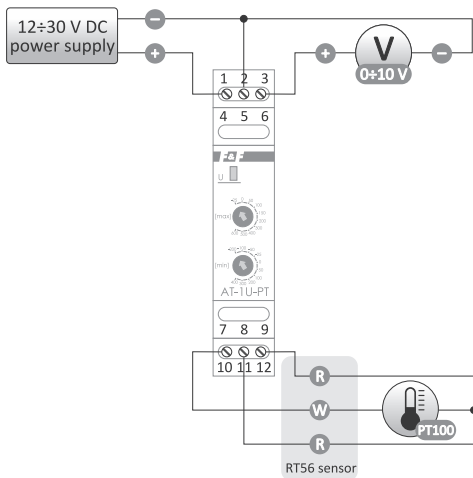


The set maximum temperature (**MAX**) must be higher than the minimum temperature (**MIN**). Failure to meet this condition will block the transducer and signal an error.

---

7. Switch on the power supply to the switchboard.

## Wiring diagram



1 – power supply (+)

2 – power supply (-)

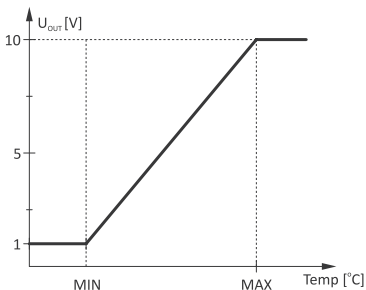
3 – voltage output 1-10 V

10-12 – temperature sensor – power supply

## Transduction characteristics

The value of the output voltage depends on the current temperature and the set measuring range.

The shape of the characteristic is shown in the figure below:



Incorrect configuration of the transducer or sensor failure is indicated by special output signal levels given in the table below:

Level	Description
10.3 V	Short circuit at the sensor output
10.6 V	No sensor connected
10.9 V	Incorrect measuring range

## LED signalling

The operation of the transducer is indicated by the LED signal light located on the front of the device.

Signal light	Description
ON	The transducer and sensor are working properly
Short blinks every 1 second	Incorrectly set measuring range
Rapid, frequent blinking	Sensor error (short circuit at the output or sensor not connected)

## Technical data

power supply	12÷30 V DC
maximum load capacity voltage output	4 mA
output voltage	1÷10 V
measurement range	-100÷600°C
temperature sensor	PT100 (3-wire)
transducer accuracy	1%
receiver maximum resistance	
supply 9 V	375 Ω
supply 12 V	500 Ω
supply 24 V	1000 Ω
supply 30 V	1200 Ω
power consumption	<0.3 W
working temperature	-25÷55°C
terminal	2.5 mm <sup>2</sup> screw terminals
tightening torque	0.4 Nm

dimensions	1 module (18 mm)
mounting	on TH-35 rail
ingress protection	IP20

### Warranty

The F&F products are covered by a warranty of the 24 months from the date of purchase. Effective only with proof of purchase. Contact your dealer or directly with us.

### CE declaration

F&F Filipowski sp. j. declares that the device is in conformity with the essential requirements of the Electromagnetic Compatibility (EMC) Directive 2014/30/UE.

The CE Declaration of Conformity, along with the references to the standards in relation to which conformity is declared, can be found at [www.fif.com.pl](http://www.fif.com.pl) on the product page.

**«F&F»<sup>®</sup>**