



F&F Filipowski L.P.
Konstantynowska 79/81, 95-200 Pabianice, POLAND
phone/fax (+48 42) 215 23 83 / (+48 42) 227 09 71
www.fif.com.pl; e-mail: biuro@fif.com.pl

LT-04

RS-485 network
termination module



Do not dispose of this device in the trash along with other waste!

According to the Law on Waste, electro coming from households free of charge and can give any amount to up to that end point of collection, as well as to store the occasion of the purchase of new equipment (in accordance with the principle of old-for-new, regardless of brand). Electro thrown in the trash or abandoned in nature, pose a threat to the environment and human health.



Purpose

The LT-04 module is used for termination, polarisation and signal amplification of the signal line of the RS-485 network.

Functioning

Termination is the termination of the signal line (UTP cable) with suitable resistances in order to maintain a uniform wave resistance of the entire line, which significantly improves the quality of the transmitted data and eliminates errors arising on the signal line.

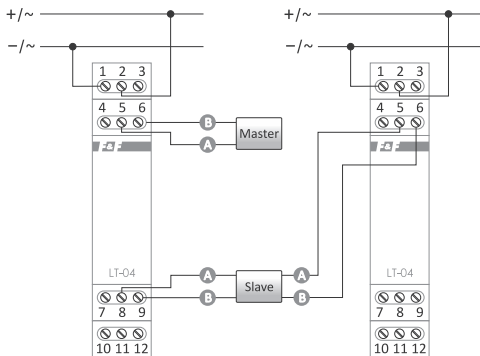
Line polarisation is performed when at least one of the slave devices in the RS-485 network does not have a signal GND point. Polarisation is carried out only for the master device.

Signal amplification is realised by active feeding of the line with low voltage through one of the modules.

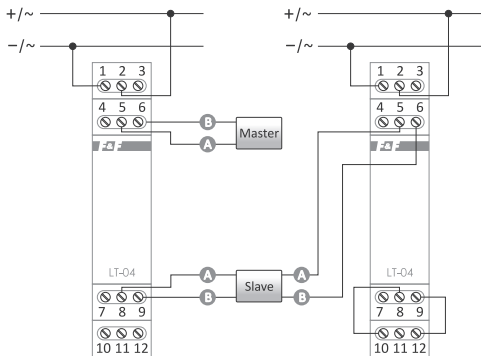
Mounting

1. Disconnect power supply.
2. Fix the module on a rail in the distribution box.
3. Connect to the signal network ends of the RS-485 port according to the termination or polarity diagram.

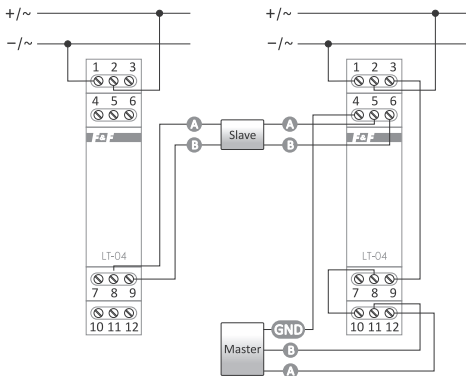
Wiring diagram



Network termination system



Network polarization system with termination



Network polarization system (with termination)
for Slave-type devices without GND

Technical data

power supply	15÷30 V DC
system current	<10 mA
terminal	2.5 mm ² screw terminals
tightening torque	0.4 Nm
working temperature	-25÷50°C
dimensions	1 module (18 mm)
mounting	for TH-35 rail
ingress protection	IP20

Warranty

The F&F products are covered by a warranty of the 24 months from the date of purchase. Effective only with proof of purchase. Contact your dealer or directly with us.

CE declaration

F&F Filipowski L.P. declares that the device is in conformity with the essential requirements of The Low Voltage Directive (LVD) 2014/35/EU and the Electromagnetic Compatibility (EMC) Directive 2014/30/UE.

The CE Declaration of Conformity, along with the references to the standards in relation to which conformity is declared, can be found at www.fif.com.pl on the product page.

«F&F»[®]