



F&F Filipowski sp. j.
Konstantynowska 79/81, 95-200 Pabianice, POLAND
phone/fax (+48 42) 215 23 83 / (+48 42) 227 09 71
www.fif.com.pl; e-mail: biuro@fif.com.pl

PZ-828

Fluid level control relay,
1-position



Do not dispose of this device in the trash along with other waste!

According to the Law on Waste, electro coming from households free of charge and can give any amount to up to that end point of collection, as well as to store the occasion of the purchase of new equipment (in accordance with the principle of old-for-new, regardless of brand). Electro thrown in the trash or abandoned in nature, pose a threat to the environment and human health.



Purpose

Fluid level control relays PZ-828 is devised to detect the presence of conductive liquids reaching the level of the sensor.

Functioning

In dry conditions, the relay's contact remains in the 7-4 position. Once the sensor becomes flooded with liquid, the red LED indicator lights up, and the contact is shifted to the 7-8 position. After the level of the conductive liquid decreases (and the electrodes of the flooding sensor depart), the contact returns to position 7-4.

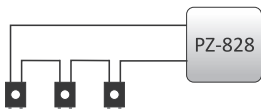
Possibility of connection the probe

The design of the probe allows for mounting it on a flat ground level, for example, on the floor in a room with hydro-valves, flaw pipes or laundry, which allows you to quickly detect the failure and flooding the room with the liquid while excluding electrical circuits, or accompanied by light or sound signals (alarm).

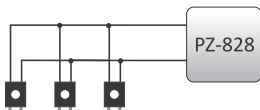


The probe cable can be extended to 100 m.

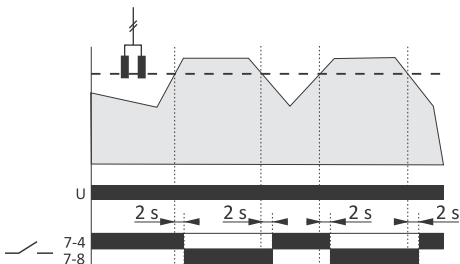
To input 5-6 can be connected 10 probes – in series or parallel:
a) **series** – (to dependent control system for fluid level in a many points) it must be the same short-circuit for all connected sensors to activation of relay.



b) **parallel** – (alternative control system for fluid level in a many points) must be at least one short-circuit, for any of the connected sensors. With the serial connection sensor sensitivity is reduced (decreasing conductivity).



Diagram



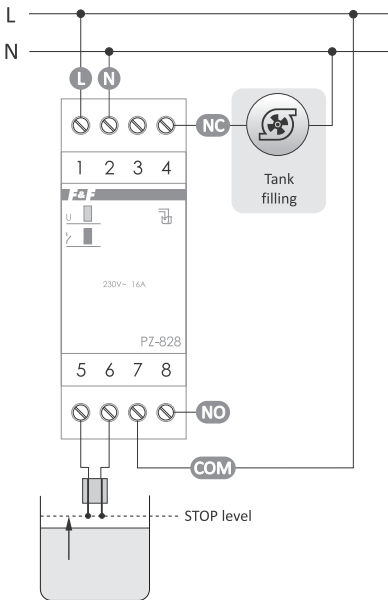
Mounting

1. Take OFF the power.
2. Put on the relay on the rail in the switchgearbox.
3. Connect power to terminals 1-2 with marks.
4. Extending the probe cable, insulate the place of connections well to prevent a short circuit (the relay will perceive it as a flooding state). Connect the probe cable to terminals 5-6.
5. Install the flood sensor at a height that corresponds to the level of the fluid check.
6. Connect the relay contact (terminals 7-8) in series into the power supply circuit of the controlled receiver.

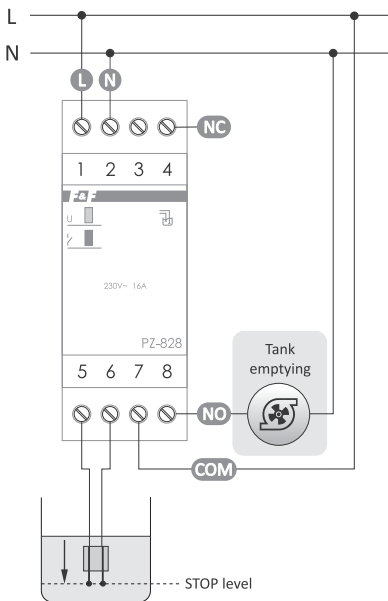


Terminals 5-6 separated from the network.

Wiring diagram



Tank filling



Tank emptying

Technical data

power supply	230 V AC
maximum load current (AC-1)	16 A
contact	separated 1×NO/NC
voltage of measuring outputs	6 V
power signalling	green LED
work status signalling	2× red LED
power consumption	1.1 W
working temperature	-25÷50°C
terminal	2.5 mm ² screw terminals (cord) 4.0 mm ² screw terminals (wire)
tightening torque	0.5 Nm
dimensions	2 modules (35 mm)
mounting	on TH-35 rail
ingress protection	IP20
type of flood probe	1×PZ
probe current	0.13 mA
sensor voltage	6 V
probe dimensions/wire length	30×20×5 mm/1.5 m
length/spacing of electrodes	30 mm/5 mm
separation of measuring probes	galvanic (transformator)

Warranty

F&F products are covered by a 24-month warranty from the date of purchase. The warranty is only valid with proof of purchase. Contact your dealer or contact us directly.

CE declaration

F&F Filipowski sp. j. declares that the device is in conformity with the essential requirements of The Low Voltage Directive (LVD) 2014/35/EU and the Electromagnetic Compatibility (EMC) Directive 2014/30/UE.

The CE Declaration of Conformity, along with the references to the standards in relation to which conformity is declared, can be found www.fif.com.pl on the product subpage.

