



F&F Filipowski sp. j.
Konstantynowska 79/81, 95-200 Pabianice, POLAND
phone/fax (+48 42) 215 23 83 / (+48 42) 227 09 71
www.fif.com.pl; e-mail: biuro@fif.com.pl

BZ-4
Fuse module,
4-slots



Do not dispose of this device in the trash along with other waste!

According to the Law on Waste, electro coming from households free of charge and can give any amount to up to that end point of collection, as well as to store the occasion of the purchase of new equipment (in accordance with the principle of old-for-new, regardless of brand). Electro thrown in the trash or abandoned in nature, pose a threat to the environment and human health.



Purpose

The BZ-4 fuse module is designed to protect electrical receivers from the effects of a current rise above the permissible value.

Functioning

Activation of the fuse (fuse link blown) is signaled by the illumination of the red LED.



Absence or failure of the fuse doesn't ensure physical disconnection of the circuit!

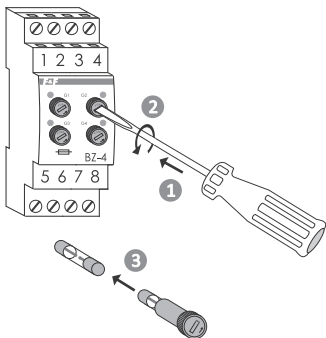


Signal diode current (maximum 3 mA) can still flow through the fuse circuit, which, in the case of protecting low-power loads (<10 W), may cause the presence of voltage at the output terminals of the fuse and the activation of signal lights connected to the output of the fuse.

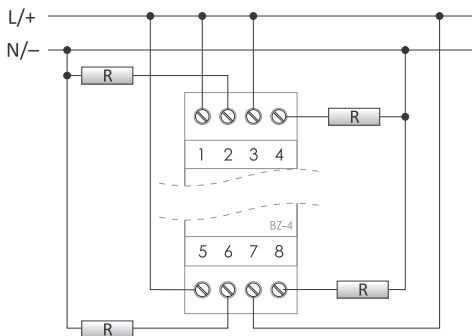
Mounting

1. Disconnect the power supply.
2. Mount the module on the rail in the distribution box.
3. Connect the circuit according to the diagram.
4. Install fuse links of the desired value in the holder(s).

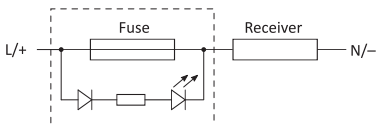
Fuse-link replacement



Wiring diagram



1-3 fuse track in socket G1



Internal diagram of a single security track



When protecting DC circuits, the polarity of connection is important.



In case of improper connection, the blown fuse indication will not work.

Technical data

protection	ø5×20 mm fuse-link
voltage (depending on the fuse-link used)	max 250 V AC/DC
current	max 6.3 A
terminal	
wire	2.5 mm ² screw terminals
cord with HI type end	2.5 mm ² screw terminals
tightening torque	0.4 Nm
working temperature	-25÷50°C
dimensions	1 module (18 mm)
mounting	on TH-35 rail
ingress protection	IP20

Warranty

The F&F products are covered by a warranty of the 24 months from the date of purchase. Effective only with proof of purchase. Contact your dealer or directly with us.

CE declaration

F&F Filipowski sp. j. declares that the device is in conformity with the essential requirements of The Low Voltage Directive (LVD) 2014/35/EU and the Electromagnetic Compatibility (EMC) Directive 2014/30/UE. The CE Declaration of Conformity, along with the references to the standards in relation to which conformity is declared, can be found at www.fif.com.pl on the product page.