



F&F Filipowski sp. j.
Konstantynowska 79/81, 95-200 Pabianice, POLAND
phone/fax (+48 42) 215 23 83 / (+48 42) 227 09 71
www.fif.com.pl; e-mail: biuro@fif.com.pl

OM-631

Power consumption limiter



519083121592082

Do not dispose of this device in the trash along with other waste!

According to the Law on Waste, electro coming from households free of charge and can give any amount to up to that end point of collection, as well as to store the occasion of the purchase of new equipment (in accordance with the principle of old-for-new, regardless of brand). Electro thrown in the trash or abandoned in nature, pose a threat to the environment and human health.



Purpose

The OM-631 power consumption limiter is used for automatic disconnection of the power supply of an electrical installation circuit in case of exceeding the set value of the power consumed by the receivers in this circuit.

Functioning

The power supply of the limiter is indicated by the lighting of the green „U” LED. The power limiter allows the circuit to be powered when the total power of the consumers in the controlled circuit is lower than that set on the limiter scale. Exceeding the set power consumption threshold in the controlled circuit disconnects the power supply to this circuit (signalled by illumination of the red LED „Y”). The power supply will be restored automatically after a user-set time.

If the power consumption is still higher than the set time, the circuit will be de-energised again.

The limiter has a system that delays its tripping ($1.5 \div 2$ s), which prevents the power supply from being switched off in the event of momentary excesses of the set power.



Additional current protection of the controlled circuit (at the L output) with a gL/gG or B16 fuse is recommended.

Mounting

1. Disconnect the power supply.
 2. Mount the limiter on the rail in the control box.
 3. Connect the power supply of the arrester to terminals 1-2.
-



Absolutely L to terminal 2 and N to terminal 1.

4. Take the power supply for the controlled circuit from terminal 7 or 8 (L').
 5. Use a screwdriver to set the trip threshold of the limiter.
-

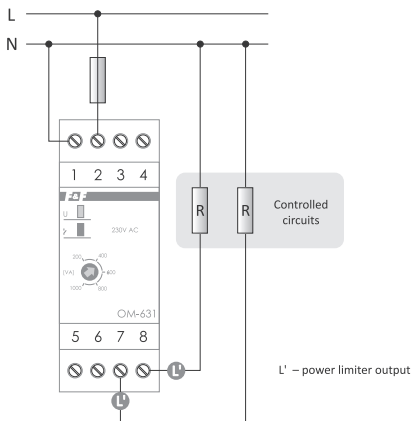


The power limiter should not be used in systems with electronic ignition (energy-saving fluorescent lamps), switching mode power supplies and other equipment generating higher harmonics from 3 upwards.



Limiter not compatible with LED lighting!

Wiring diagram



Description of terminals

- | | |
|---|----------------------------------|
| 1 | power supply N |
| 2 | power supply L |
| 7 | output L' (controlled circuit 1) |
| 8 | output L' (controlled circuit 2) |

Technical data

power supply	195÷253 V AC
contact	1×NO
maximum load current (AC-1)	16 A
power limitation (adjustable)	200÷2000 VA
activation delay (adjustable)	1.5÷2 s
return supply hysteresis	2%
return supply time	30 s
power consumption	0.8 W
working temperature	-25÷50°C
terminal	2.5 mm ² screw terminals (cord) 4.0 mm ² screw terminals (wire)
tightening torque	0.5 Nm
dimensions	2 modules (35 mm)
mounting	on TH-35 rail
ingress protection	IP20

Warranty

The F&F products are covered by a warranty of the 24 months from the date of purchase. Effective only with proof of purchase. Contact your dealer or directly with us.

CE declaration

F&F Filipowski sp. j. declares that the device is in conformity with the essential requirements of The Low Voltage Directive (LVD) 2014/35/EU and the Electromagnetic Compatibility (EMC) Directive 2014/30/UE.

The CE Declaration of Conformity, along with the references to the standards in relation to which conformity is declared, can be found at www.fif.com.pl on the product page.