

LIGHT DIMMERS
 without a function of light intensity
 setting „storage” allowed **SCO-801**

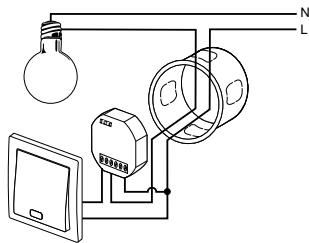
WARRANTY. The F&F products are covered by a warranty of the 24 months from the date of purchase. Effective only with proof of purchase. Contact your dealer or directly with us. More information how to make a complaint can be found on the website: www.fif.com.pl/reklamacje



Do not dispose of this device to a garbage bin with other unsorted waste! In accordance with the Waste Electrical and Electronic Equipment Act any household electro-waste can be turned in free of charge and in any quantity to a collection point established for this purpose, as well as to the store in the event of purchasing new equipment (as per the old for new rule, regardless of brand). Electro-waste thrown in the garbage bin or abandoned in the bosom of nature pose a threat to the environment and human health.

Purpose

The dimmer is used for switching on and off incandescent and halogen lamps and offers the option of light intensity adjustment by means of any impulse switch (buzzer).



- 1 -

Note!

All Z terminals form a single load point. If you connect a separate circuits lamps the power sum can not exceed the maximum (ΣP <300W).

Note!

SCO-801 can be used with illuminated buttons.

Note!

In the case of frequent overheating of the system, reduce the load (number of receivers or power) or for better ventilation.

Note!

SCO can be used for halogen lamps, also powered by the power supply or electronic transformer designed to work with dimmers. NOTE! With some electronic control dimmers can work incorrectly (eg. Flickering light). For some types of halogen lamps should be connected with a total capacity min. 50% of the nominal power adapter.

Before final installation is recommended tests.

- 3 -

Functioning

The lights on is follows the current pulse triggered by pressing the momentary switch (door bell) connected to the dimmer. Turn off lighting will take a place after the next pulse. Lighting can be controlled by switch buttons connected pararely and placed in different places of the room. Holding down the button longer than 1 second. allows you to set the desired light level in one direction from the current setting to the maximum or minimum.

The direction of change (brightening or dimming) is forced by the dimmer and change forever for the opposite after each setting.

The SOFT START function - holding the button longer than 1 second. when switching on the lighting causes the "smooth" adjustment from "zero" to the maximum. (DARKER -> BRIGHTER).

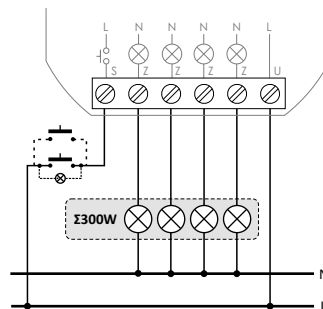
The dimmer has thermal protection. In the event of overheating the dimmer indicates a 3-fold wink controlled lamp and then turns off. Once the temperature drops below a critical dimmer can be re-attached.

Assembly

1. Take OFF the power.
2. Put on the relay in to under plaster box.
3. Connect the power supply to U terminal
4. Button or group of buttons connected in parallel connect in series between the phase of L and S terminal.
5. Connect load to the Z output terminals.

- 2 -

Wiring diagram



Technical data

supply	230V AC
current load	<1,3A
maximum power of light bulbs connected	300W
current pulse duration	<1s
power consumption	0,1W
working temperature	-25÷50°C
connection	1,5mm ² screw terminals
dimensions	ø54 (□ 48×43mm), h=20mm
fixing	to under plaster box Ø60
ingress protection	IP20

D150512

- 4 -